

Operation Manual



INTRODUCTION

The EHA is a newest generation of emergency rescue device for PC system to guarantee the return of cabinet to the nearest floor or bottom floor and open the door safely in the event of AC mains power failure, also in the case of power problem with PC itself. The smart CPU-based EHA can be installed with any type of control panel of PC systems, it functions with sealed acid batteries and free maintenance. Easy installation and safe landing the cabinet for 100% security to the lift' s operation.

What it works for ?

The EHA comes into operation within few seconds when the AC mains power is failure or power system got problem in PC itself. If the PC is staying at the floor level, EHA simply open the cabinet door. If the PC is blocked between two floors, EHA turns the motor in the direction that requires the least expenditure of current to bring the cabinet to the nearest floor level or bottom floor level with commanded, and then open the door. When this operation has been completed, the EHA turns off automatically.

FEATURES

- Smart CPU to detect the PC power condition at real time and operate the safe landing for any emergency happened.
- V3F technology to fit the variable voltage and variable frequency for reliable power supply to the PC
- Complex control circuit design
- Compact mechanical design for space-saving
- Easy installation and safe operation
- LCD display
- Overload management for heavy loads

CAUTION

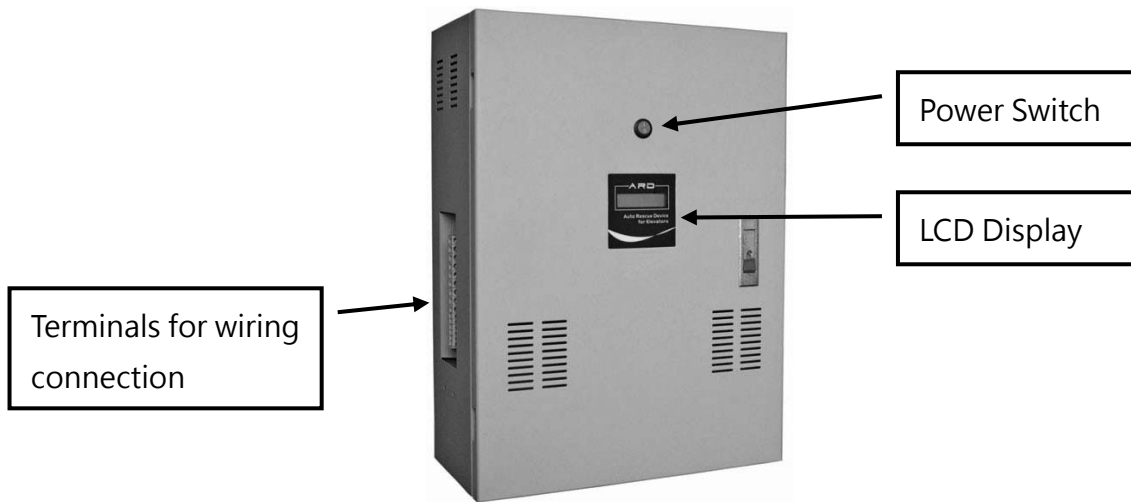
- Thank you for using our product. For the sake of maintaining the normal operation of this EHA device, please read the user manual completely before installation.
- Please carefully check the model and parameters on the nameplate of this product with relevant parts of PC. If there is any non-identical information, please contact with the authorized engineering service center where you bought the device immediately, to consult the solution before any installation or operation.
- Don't touch the high voltage parts built in the device during testing or setting the parameters or checking the unit.
- If this device has not been used over than six months, please charge the batteries before operation. The device may be stayed at the system integrator site for some time, thus, please check it with the supplier if you have uncertain information about this matter.

Battery charging method :

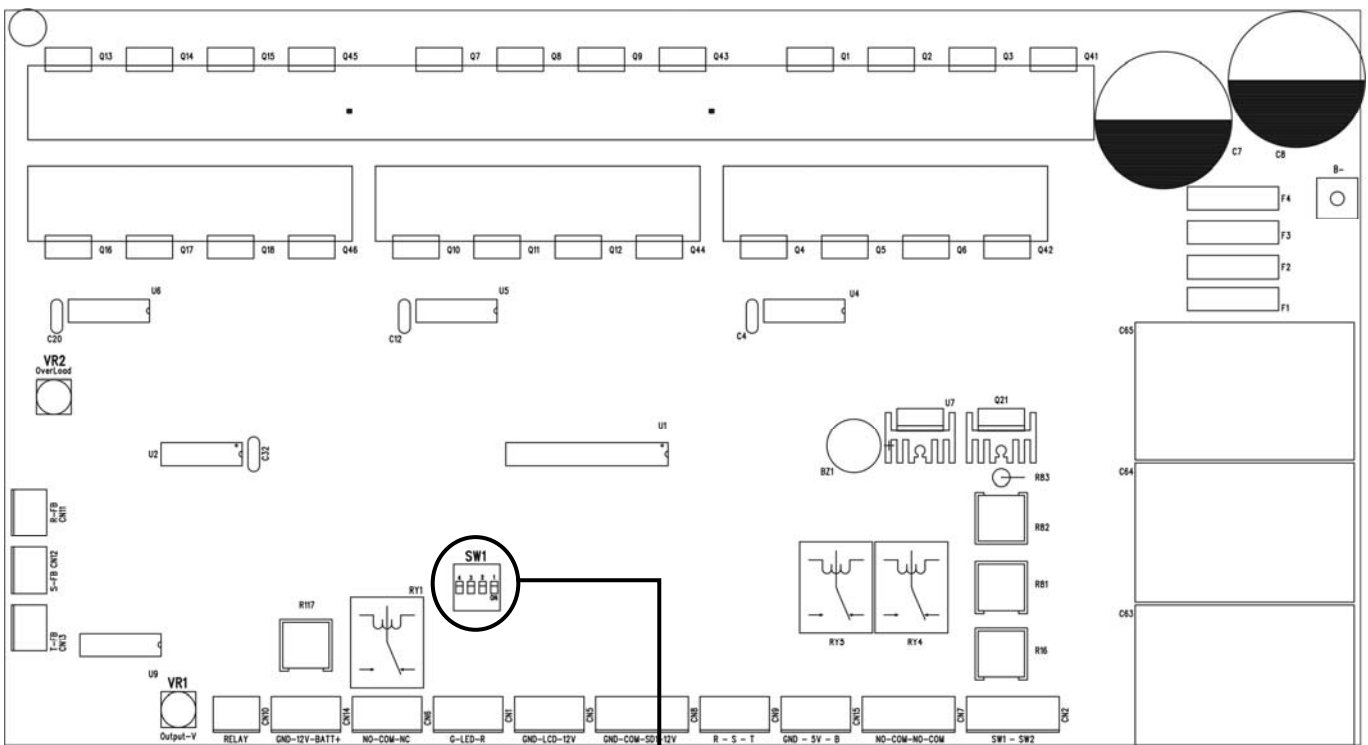
Connect input power in 3 phase / 380VAC or 3 phase / 220VAC to charge the batteries automatically.

- If there is any failure happened, please contact with the qualified technical service center, all repairs should be performed by qualified service personnel.

OUTLOOK



SETTINGS



P.S. : S1 & S2 - the external switch
 VR1 = output voltage adjustment
 VR2 = over load adjustment

※ DIP Switch Setup(SW1):

1	2	3	4
ON	ON	ON	ON
OFF	OFF	OFF	OFF

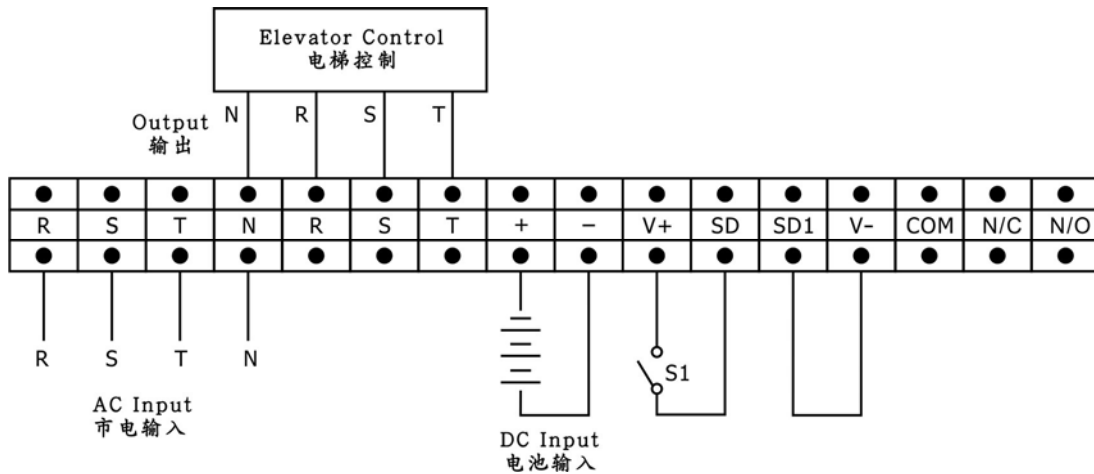
OFF	OFF	5 Sec.
OFF	ON	10 Sec.
ON	OFF	15 Sec.
ON	ON	30 Sec.

3 to 4 : shut down EHA

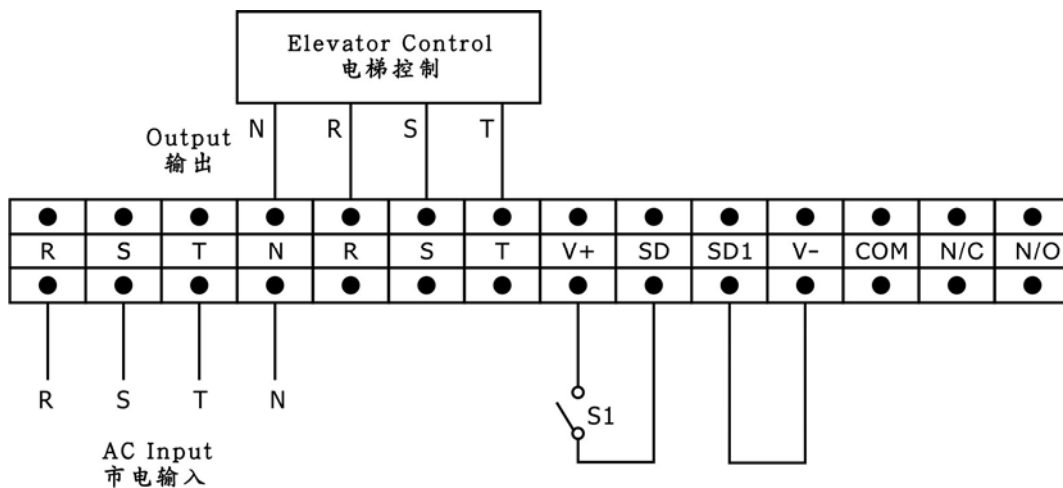
OFF	OFF	0 Sec.
OFF	ON	15 Sec.
ON	OFF	30 Sec.
ON	ON	45 Sec.

WIRING CONNECTIONS

(1) Wiring connections for the EHA connected with external batteries



(2) Wiring connections for the EHA built with internal batteries



S1	external switch (open door switch) When set S1 in close circuit, EHA will shutdown the within one second and restart the PC automatically when AC mains come back.
COM, NO	user can install accessories like alarm or others to our EHA unit.

Explanation of LCD Display

LCD Display	Description	Remarks
WELCOME EHA SERVICE	System starts	Beep sound alert per 5 sec. Then enter to mute mode after 15~20 sec., backlight off after 90 sec.
MAIN ON BATTERY CHARGE	AC mains supply is on Battery charging on	
MAIN OFF INVERTER MODE	AC mains stop System enters into inverter mode	
WARNING ! BATTERY LOW	The alert for battery low indication	
WARNING ! BATTERY LOW SD	The alert for system shutdown with low battery power	
WARNING ! OVER LOAD 125%	The alert for 125% over-load indication	Please try to reduce the loads after receiving this alert
WARNING ! OVER LOAD 200%	The alert for 200% over-load indication	Please try to reduce the loads after receiving this alert
WARNING ! OVER LOAD SD	System shutdown with over loads than rated	Reduce the loads and switch On/Off button to re-start the system
WARNING ! OUTPUT SHORT	The alert for output shorted	
WARNING ! EHA INT SD	S1 switch is turned off, system shutdown instantly	System is waiting for AC mains on
WARNING ! AFTER 10 SEC SD	S2 switch is turned off, system will be shutdown within 10 sec.	System is waiting for AC mains on
WARNING ! 10 SEC SD	System is shutdown	System is waiting for AC mains on
WARNING 180 SEC SD	System will be shutdown within 180 sec.	System is waiting for AC mains on
WARNING ! OUTPUT ERROR	The alert for failed output	
WARNING ! OVER TEMP	The alert for high temperature	

简介

EHA 是最新一代电梯系统救援装置，当停电时，可确保抵达最近的楼层或最底部的楼层，并安全地打开电梯门，也适用于电梯本身发生电力问题的情况。智能型微处理器设计基础的 EHA 可安装于任何控制面板的电梯系统。搭配密封式免维护铅酸电池。安装容易，使电梯 100%安全降落。

当市电中断或电梯电力系统发生问题，EHA 会在几秒钟之内开始运作。如果电梯停在某一楼层, EHA 则简单地打开电梯门。如果电梯停在两个楼层之间，EHA 会启动马达并使用最少的电流，依指令将电梯带到最近的或最底部的楼层，然后开启电梯门。当完成操作安全抵达后，EHA 会自动关机。

特色

- 智能型微处理器设计，在任何紧急情况发生时，立即电梯电力检测及安全降落操作
- V3F 技术能适应可变电电压及可变频率，可靠的供应电力给电梯
- 复合控制电路设计
- 复合式机械设计以节省空间
- 易于安装, 操作安全
- 液晶显示
- 超载管理

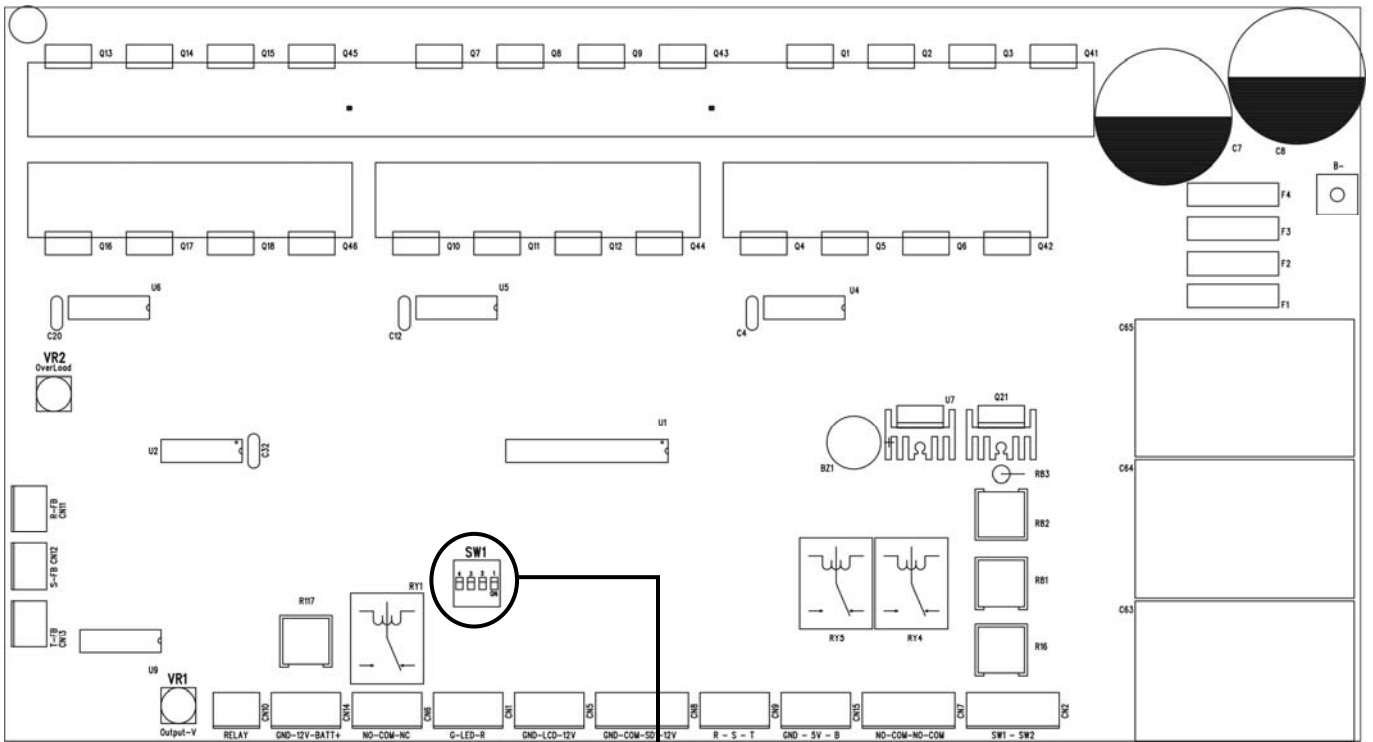
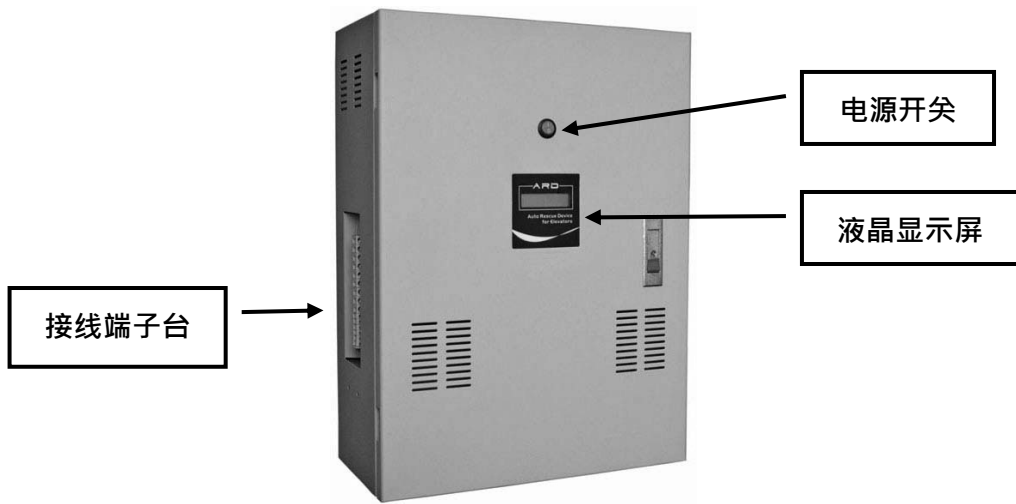
注意事项

- 感谢您使用本公司的产品！为了维持 EHA 正常运作，在安装前，请先仔细阅读《用户手册》。
- 请仔细核对产品卷标上所列型号、参数及相关部分，如不一致，请勿安装及操作使用，并立即联系购买地的授权技术服务中心咨询解决办法。
- 机壳内有高压，若开盖测试设定，请勿触及高压部分。
- 如果设备超过 6 个月未使用，请于使用前对电池充电。因设备也许在系统整合商存放了一段时间，如果你对于这个问题有疑问，请向供货商确认。

电池充电方法：

接上三相380Vac or 三相220Vac的输入电力，即可自动电池充电

- 如有发生任何的故障，请联系合格的技术服务中心，所有的维修动作需由合格的技术人员执行。



备注 : S1 & S2 – 外部控制开关

VR1 = 输出电压调整

VR2 = 超载保护调整

※ 微调开关设定(SW1):

1, 2 : EHA 启动

3, 4 : EHA 关闭

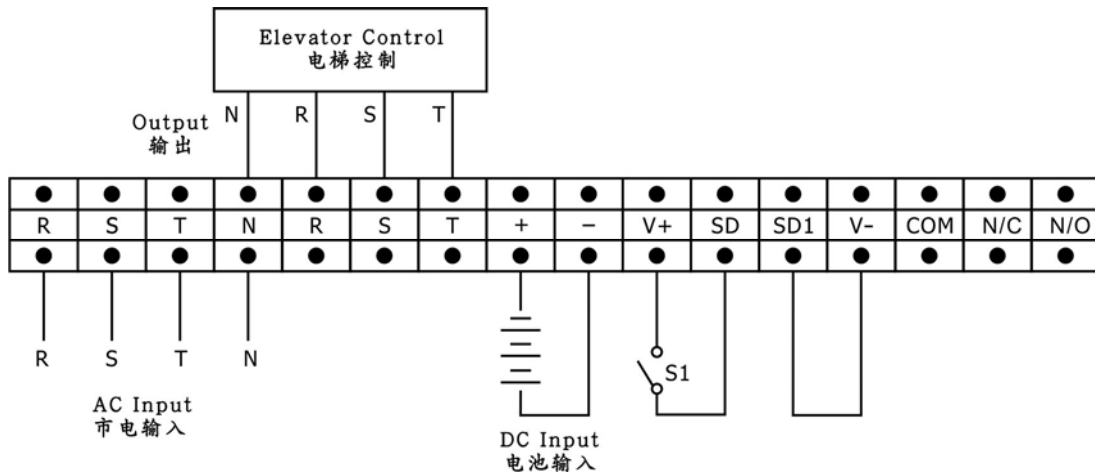
1	2	3	4
ON	ON	ON	ON
OFF	OFF	OFF	OFF

OFF	OFF	5 Sec.
OFF	ON	10 Sec.
ON	OFF	15 Sec.
ON	ON	30 Sec.

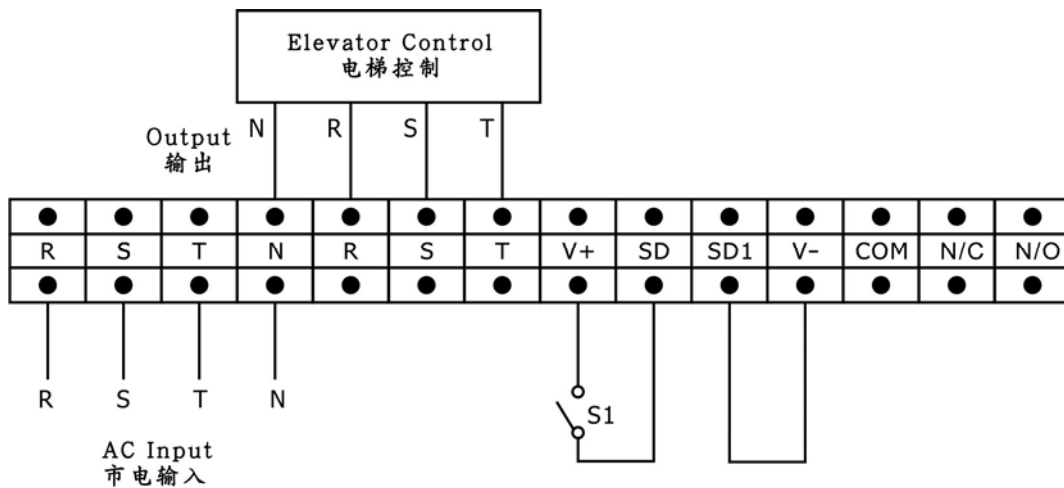
OFF	OFF	0 Sec.
OFF	ON	15 Sec.
ON	OFF	30 Sec.
ON	ON	45 Sec.

端子台接线指示

(1) 外接电池型 EHA 的端子台接线指示



(2) 内含电池型 EHA 的端子台接线指示



S1	外部控制开关 (开门开关) 当 S1 在关闭状态, EHA 会在一秒内立即关闭电梯, 并且当市电回复时自动重新启动电梯。
COM, NO	使用者可安装警铃或其它配件连结到EHA。

液晶显示内容	描述	备注
WELCOME EHA SERVICE	系统启动	每 5 秒鸣叫一声，15~20 秒后停止鸣叫，90 秒后，液晶显示背光关闭。
MAIN ON BATTERY CHARGE	电池充电中	
MAIN OFF INVERTER MODE	市电中断，系统进入逆变模式	
WARNING ! BATTERY LOW	电池电力不足警告	
WARNING ! BATTERY LOW SD	电池电力不足，系统关机	
WARNING ! OVER LOAD 125%	过载 125%警告	请减少负载
WARNING ! OVER LOAD 200%	过载 200%警告	请减少负载
WARNING ! OVER LOAD SD	超过额定负载，系统关机	请减少负载后，重新开启 EHA
WARNING ! OUTPUT SHORT	输出短路警告	
WARNING ! EHA INT SD	S1 控制开关关闭，系统立即关机	系统等待市电回复
WARNING ! AFTER 10 SEC SD	S2 控制开关关闭，系统 10 秒内关机	系统等待市电回复
WARNING ! 10 SEC SD	10 秒内系统开机	系统等待市电回复
WARNING 180 SEC SD	180 秒内系统关机	系统等待市电回复
WARNING ! OUTPUT ERROR	输出失败警告	
WARNING ! OVER TEMP	高温警告	

Version : ARD17-1306-V2
Released date : June 11, 2013